



SlurryfloTM
valve corp.

The Toughest Control Valve in the World

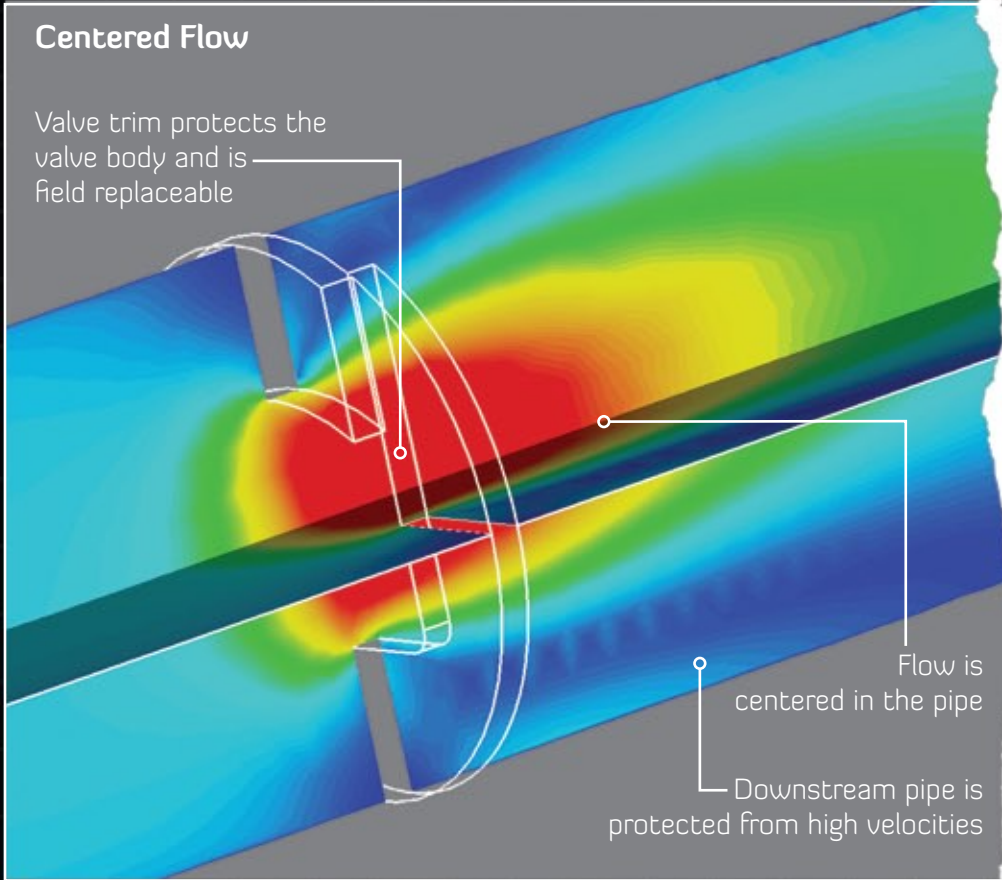
www.slurryflo.com

The Toughest Control Valves in the World

SlurryFlo control valves provide exceptional performance and reliability. The patented gate profile and unique orifice trims are custom designed for controlling any application – from water to extremely abrasive slurries. By directing flow through the center of the valve, SlurryFlo protects the valve's body and downstream piping from erosion and cavitation, providing unparalleled service life.

Centered Flow

Valve trim protects the valve body and is field replaceable



You're in Control

SlurryFlo's unique seat plate designs provide exceptional control while directing flow through the center of the pipe. In applications where valves must handle large pressure drops, cavitation reducing plates can be provided – multiple holes divide the flow into smaller energy streams, reducing noise and vibration. A few of our seat plate configurations are shown below; however the design possibilities are infinite.



The SlurryFlo Advantage

- Patented concave gate design
- Flow is directed through center of valve
- Unique orifice designs meet exact application requirements
- Zero damage to valve body (100% protection)
- Reduced wear to downstream piping
- Super hard materials increase service life
- Field replaceable wear components
- Reduced downtime and maintenance costs
- Longest service life of any valve



Bore liner

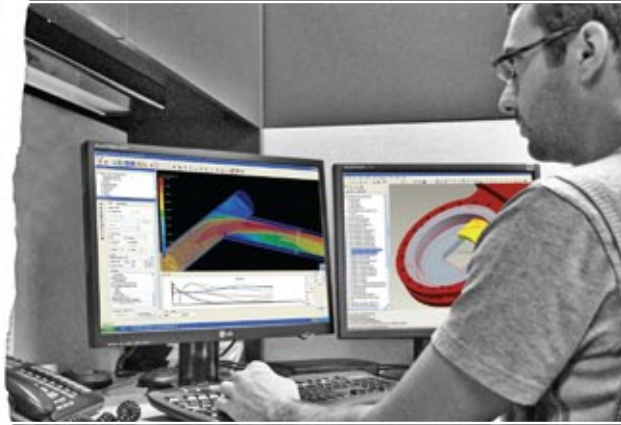


Gate



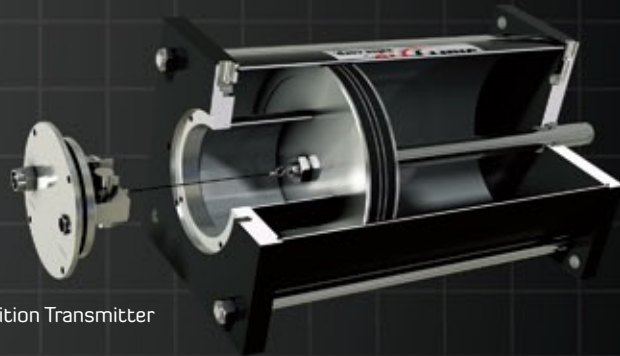
Seat Plate

All wear components are field replaceable



Custom Engineering

SlurryFlo engineers use state-of-the-art design and flow modeling software to build and test each valve in a virtual world. They create unique control characteristics and select materials for optimal abrasion resistance. The result is a customized control valve that meets your exact application requirements.



Position Transmitter

For ultimate control, SlurryFlo cylinders can be ordered with internal position transmitters. These units replace external positioner linkage arms and are protected from process media, the elements and other hazards.

Typical Industries



Oil Sands Mining



Water/Waste
Water Treatment



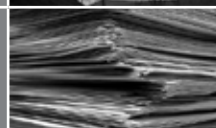
Hard Rock,
Potash
& Coal Mining



Power
Generation



Smelting &
Processing



Pulp & Paper

SlurryFlo[™]
valve corp.

Valve Size	A		B		C	D		E		F		G		
	MSS-SP81 150 CWP	MSS-SP135 ANSI 150 ANSI 300		ANSI 150/ 150 CWP	ANSI 300		ANSI 150/ 150 CWP	ANSI 300	ANSI 150/ 150 CWP	ANSI 300	ANSI 150/ 150 CWP	ANSI 300	ANSI 150/150 CWP	ANSI 300
2	17/8	23/4	23/4	6	6 1/2	2	43/4	5	5/8	5/8	2-7/16	2-5/8	4	8
3	2	4	4	7 1/2	8 1/4	3	6	6 5/8	5/8	3/4	2-1/2	2-7/8	4	8
4	2	4 1/8	4 1/8	9	10	4	7 1/2	7 7/8	5/8	3/4	2-1/2	2-1	8	8
6	2 1/4	2 1/2	4 1/8	11	12 1/2	6	9 1/2	10 5/8	3/4	3/4	2-1/2	4-1 1/8	8	12
8	2 3/4	2 7/8	4 5/8	13 1/2	15	8	11 3/4	13	3/4	7/8	2-3/4	4-1 1/4	8	12
10	2 3/4	3 1/8	5 3/8	16	17 1/2	10	14 1/4	15 1/4	7/8	1	4-3/4	4-1 1/4	12	16
12	3	3 1/4	5 5/8	19	20 1/2	12	17	17 3/4	7/8	1 1/8	4-3/4	6 15/8	12	16
14	3	3 5/8	6 1/4	21	23	13 1/4	18 3/4	20 1/4	1	1 1/8	4-3/4	6 13/4	12	20
16	3 1/2	3 3/4	6 5/8	23 1/2	25 1/2	15 1/4	21 1/4	22 1/2	1	1 1/4	4-7/8	6 13/4	16	20
18	3 1/2	4 1/8	7	25	28	17 1/4	22 3/4	24 3/4	1 1/8	1 1/4	4-7/8	8 17/8	16	24
20	4 1/2	4 1/2	7 3/8	27 1/2	30 1/2	19 1/4	25	27	1 1/8	1 1/4	4-1 1/4	8-2	20	24
24	4 1/2	5	8 3/8	32	36	23 1/4	29 1/2	32	1 1/4	1 1/2	4-1 1/4	8-2 1/4	20	24
28	4 1/2	7 1/8	10	36 1/2	40 3/4	27 1/4	34	37	1 1/4	1 5/8	6-1 1/4	10-2 1/2	28	28
30	4 5/8	7 3/8	10 1/2	38 3/4	43	29 1/4	36	39 1/4	1 1/4	1 3/4	6-1 1/4	10-2 3/4	28	28
36	4 5/8	8 7/8	12	46	50	35 1/4	42 3/4	46	1 1/2	2	6-1 1/4	12-3	32	32
42	*See note 1			53	50 3/4	41 1/4	49 1/2	47 1/2	1 1/2	1 5/8	8-2	12-3	36	32
48	*See note 1			59 1/2	57 3/4	47 1/4	56	54	1 1/2	1 7/8	8-2 1/4	12-2 1/4	44	32

Dimensions (in.)

A Face to Face (inches)
 B Flange diameter
 C Valve ID (based on schedule 40 unlined pipe)
 D Flange bolt circle
 E Size of tapped holes
 F Quantity and depth of blind tapped holes per flange
 G Number of bolt holes per flange

Note: Gate width is based on flow conditions

SlurryFlo valves are available in either MSS-SP81 (150 CWP), MSS-SP135 (ANSI 150/300) or to customer preferred specifications. FCI 70-2/ANSI Class I to IV shutoff is available based on seat plate selection.

Consult factory for sizes above 48" *note 1: Face to face based on customer specifications

SlurryFlo Valve Corp.
 5304-68 Ave
 Edmonton, AB, Canada
 T6B 3M4

780.468.6945
 www.slurryflo.com
 sales@slurryflo.com

